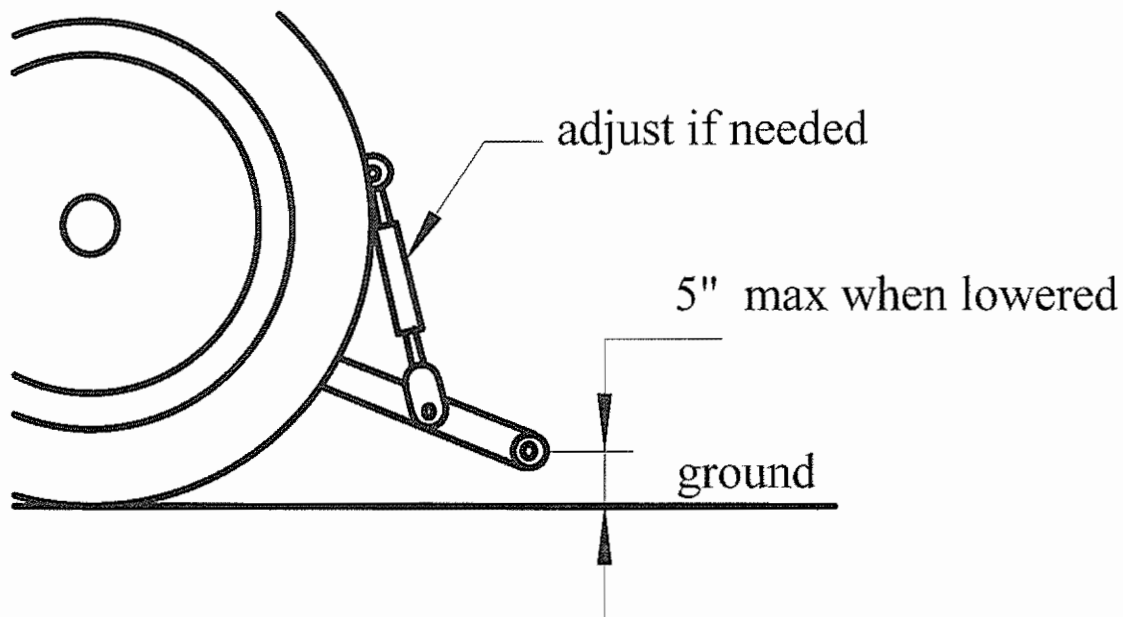


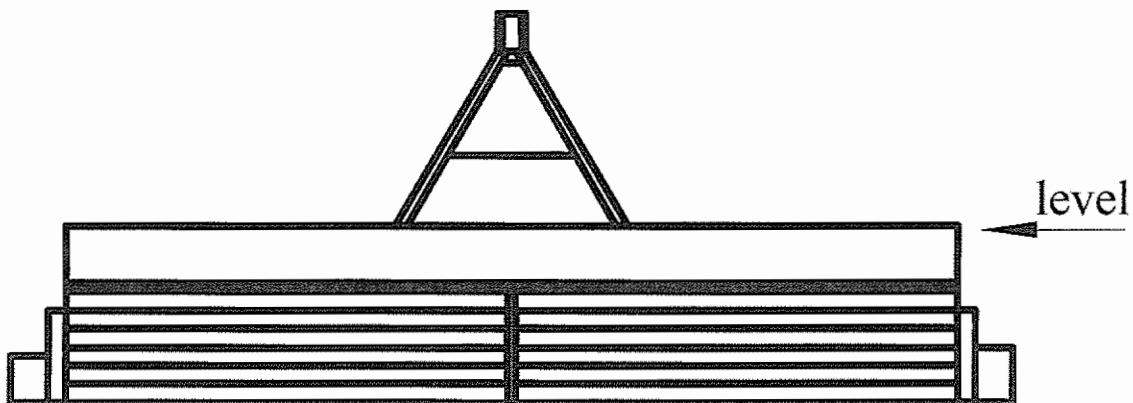
# Hook-up and operating instructions for the black widow groomer.

The **black widow** will hook-up to a category 1 or 2 three point lift. You will need 1-set of hydraulic couplers to run the ram.

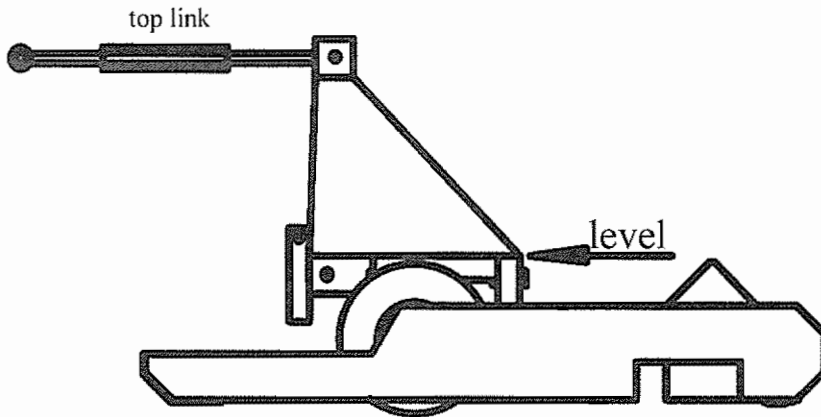
Before hook-up, the tractor should be on flat, level ground and the lift arms must be able to lower down within about 5 inches from ground to center of lift pin hole. **This is very important to allow the machine to operate properly.**



After attaching the lift arms, top link and the hydraulic hoses, adjust the lift arms so when the **black widow** is lifted off the ground, it is level to the ground when viewed from behind.

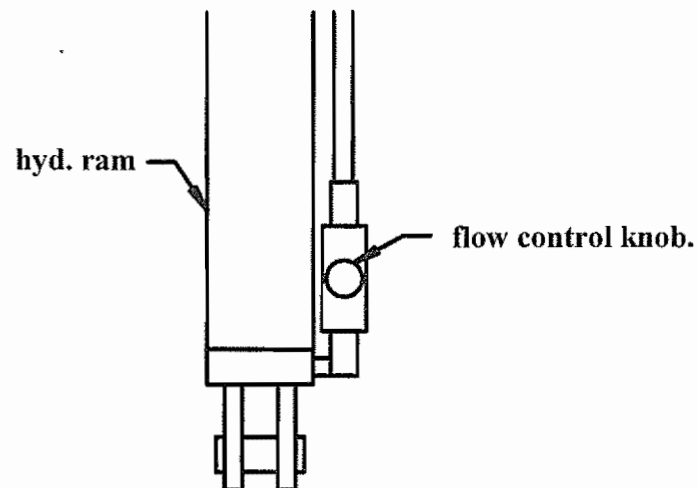


While the **black widow** is on the ground, adjust the top link so the top of the rip bar frame is level with the ground as viewed from the side.

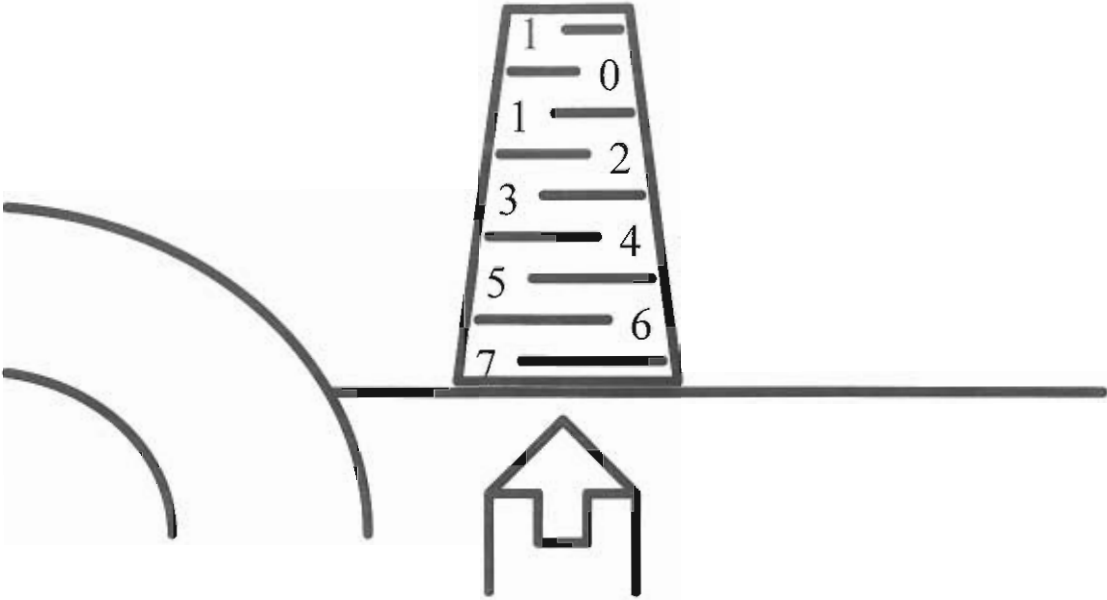


All draft controls must be off. Adjust the decent rate of the three point lift for rapid decent when the **black widow** is lowered to the ground. The three point lift is only used to lift the black widow for transit.

Fully open the flow control valve. Stroke the hydraulic ram several times to remove any air. Readjust the flow valve to slow the speed of the ram to the operator preference.



In normal use the lifting levers must be down to allow the **black widow** to rest fully on the ground. The only adjustment the operator needs to make, is to select the ripping depth by moving the hydraulic ram.



The easy read depth gauge will indicate to the operator the current depth setting. Changes can be made on the move, the rest of the implement will self adjust for changes of rip depth, soil or surface conditions.

Questions call 1-435-201-0841 or 1-888-472-4883 or [www.blackwidow.com](http://www.blackwidow.com)



Hardened dig tip.



Plow bolt.



Rip shank.



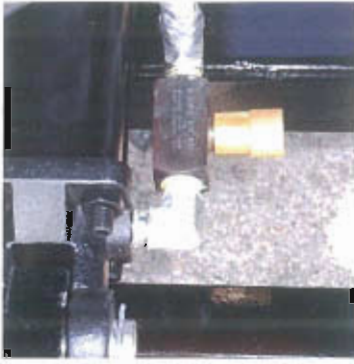
Tire.



Bearing.



Hydraulic ram.



Flow control valve.



Rollers.



Depth gauge.



Ad banner kit.

<u>Model #</u>	<u>size</u>	<u>weight</u>	<u>horse power required</u>	<u>max. outside of tractors tires</u>
6500	6 ½'	1050	30-40	6'2"
8000	8'	1250	40-80	7'8"
9500	9 ½'	1380	80-+	9'
11000	11'	1440	100-+	10'